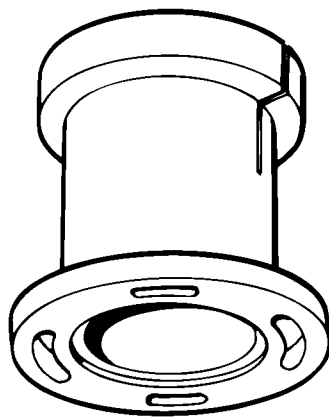


MACHINE ADAPTIONS

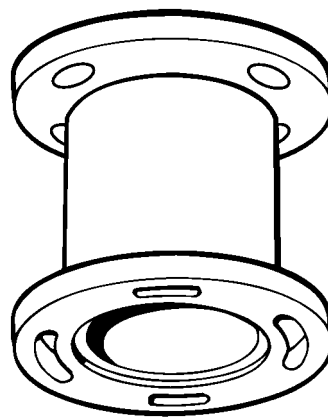
Centreline Multi-Spindle Heads can be fitted to almost all types of machines from simple drill presses to CNC machining centres with automatic tool change (ATC).

If a quill clamp and driver are required please help us by providing all information possible on your machine including make, model and serial number (see pages 40 & 41).

QUILL CLAMPS

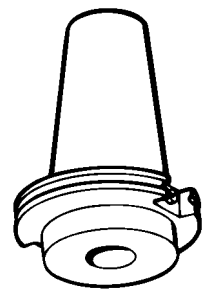
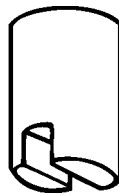
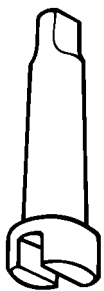


Quill Clamp A



Quill Clamp B

DRIVERS



Morse Tapers

Size	Part No.
1MT	CL1MT
2MT	CL2MT
3MT	CL3MT
4MT	CL4MT
5MT	CL5MT
6MT	CL6MT

Jacobs Tapers

Size	Part No.
1JT	CL1JT
2JT	CL2JT
3JT	CL3JT
6JT	CL4JT
33JT	CL5JT

Stub Tapers

Size	Part No.
B10	CLB10
B12	CLB12
B16	CLB16
B18	CLB18
B22	CLB22

International Tapers

Size	Part No.
ISO 30	CL30IS
ISO 35	CL35IS
ISO 40	CL40IS
ISO 45	CL45IS
ISO 50	CL50IS